

GE  
Inspection Technologies

# Fiberscopes

Remote Visual Inspection

Precision Optics  
Durable Construction  
Cost Effective



imagination at work



# A large family of rugged, high performance inspection tools

A wide range of diameters, lengths and viewing options, combined with a high-resolution image guide, make GE Inspection Technologies flexible fiberscopes ideal for a variety of remote visual inspection applications. They excel in capturing bright, clear images from deep inside turbines, compressors, pipes, tanks and other hard-to-reach places.

## Full Range of Models

With over 30 standard models from which to choose, you are sure to find the right fiberscope for your inspection application. Standard articulating models have diameters as small as 2.4 mm (0.94 in.) and lengths up to 2.7 m (8.9 ft.).

Non-articulating models are available from 0.5 mm (0.20 in.) diameter and in lengths as long as 9.1 m (30 ft.).

## High-resolution Images

The super thin fiberoptic technology used by GE Inspection Technologies fiberscopes allows thousands more fibers to be packed into the same size image bundle. Our "Superfine" image guides have up to 50 percent more fibers than other fiberscopes of similar diameter. The high quality of smaller fibers provides a sharper, smoother image and reveals finer details of the inspection surface.



# Ergonomic Body

The trim, sleek body is comfortable for hands of all sizes and the conveniently-placed articulation and focus controls enable single-handed operation.

# Designed To Be Used

Our flexible fiberscopes are built to withstand today's tough industrial applications. With a stainless steel monocoil core, waterproof sealant, and stainless steel or tungsten outer braid, the scopes are built for durable performance in a variety of inspection environments.

# For UV Inspections

Quartz illumination fibers are available for applications where a UV light source is required with the fiberscope. Quartz has much greater efficiency when transmitting UV light and will provide more intense output to stimulate UV-sensitive dyes and penetrants.



*Image of Turbo Impeller*



*Turbine Inspection*

# Hardware Features

## Tip Articulation

This aids maneuverability and has a scanning capability which can provide a panoramic view of the area being inspected. Tip Articulation is controlled by a conveniently-located lever which operates the two-way articulating tips. Two concentric knobs are used on four-way systems. Both types have locking mechanisms to maintain a fixed articulation angle during inspection.



## Eyepiece

The standard DIN eyepiece connects easily to a c-mount video camera system by way of a variable focus coupler. The ocular assembly incorporates a diopter focus adjustment to suit operators with varying eyesight characteristics.

## Light Guide

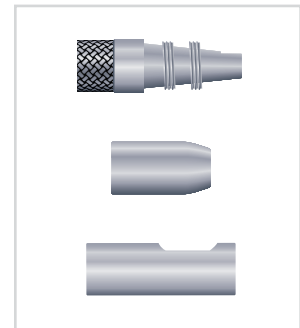
A continuous high-efficiency fiber bundle maximizes light transmission from light source to scope tip. Various entrance adapters are available which enable the instrument to be used with a wide variety of light sources including those of other manufacturers.

## Insertion Tube

A strong stainless steel monocoil provides protection from crushing forces, while a stainless steel or tungsten braid cover resists wear from sliding over rough and sharp surfaces. The Insertion Tube is made watertight with layers of PVC and soft urethanes. The flexible Insertion Tube adapts easily to curves and bends and can be maneuvered around corners and over obstacles, yet is torsionally stiff to allow it to be twisted for better access and positioning.

## Interchangeable Tip Optics

These enable both forward-view and 90° side-view inspections with one fiberscope. The Tip optics are retained by a double screw-thread which ensures that the tips are positively secured to the instrument. The forward-viewing tip headguard is standard and the 90° side-view Tip Optics are optional and diameter-specific.



# Technical Specifications

## Operating Temperature:

-18° to 82° C (0° to 180° F)

## Watertight:

Insertion Tube and Bending Neck to 1 bar (14.7 psi)  
Scope Body splashproof

## Liquid Compatibility:

Can be immersed in water, synthetic and mineral lubricating oil, mineral and synthetic hydraulic fluid (not Skydrol®), gasoline, diesel and jet fuel. (Instrument must be cleaned of contaminating fluid after use and before storage.)

## Insertion Tube Bend Radius:

Scope Diameter	Minimum Bend Radius
2.4 mm to 6 mm	32 mm (1.25 in.)
8.4 mm	36 mm (1.5 in.)
12.5 mm	51 mm (2.0 in.)

Specifications subject to change without notice.

# Technical Specifications

Specifications subject to change without notice.

## Fiberscope Models with Articulation

Part No.	Diameter mm (in.)	Working Length m (ft.)	Articulation	Direction of View	Field of View	Depth of Field mm (in.)	Side View Tip	Insertion Tube/ Bending Neck Braid**
<b>2.4 mm Diameter</b>								
F2D07	2.4 (0.094)	0.7 (2.3)	2-Way 130°	0°	45°	4.0 (0.16) - infinity	No	stainless steel
F2D12	2.4 (0.094)	1.2 (3.9)	2-Way 130°	0°	45°	4.0 (0.16) - infinity	No	stainless steel
<b>3.0 mm Diameter</b>								
F3D05	3.2 (0.126)	0.5 (1.6)	2-Way 120°	0°	45°	4.0 (0.16) - infinity	No	stainless steel
F3D10	3.2 (0.126)	1.0 (3.3)	2-Way 120°	0°	45°	4.0 (0.16) - infinity	No	stainless steel
F3D12	3.2 (0.126)	1.25 (4.1)	2-Way 120°	0°	45°	4.0 (0.16) - infinity	No	stainless steel
<b>4.0 mm Diameter</b>								
F4D10	4.0 (0.157)	1.0 (3.3)	2-Way 120°	0°	45°	4.0 (0.16) - infinity	No	stainless steel
F4D15	4.0 (0.157)	1.5 (4.9)	2-Way 120°	0°	45°	4.0 (0.16) - infinity	No	stainless steel
F4S10	4.0 (0.157)	1.0 (3.3)	2-Way 120°	90°	45°	4.0 (0.16) - infinity	No	stainless steel
F4S15	4.0 (0.157)	1.5 (4.9)	2-Way 120°	90°	45°	4.0 (0.16) - infinity	No	stainless steel
<b>5.0 mm Diameter</b>								
F5X10	5.0 (0.197)	1.0 (3.3)	2-Way 120°	0°/90°	45°	6.0 (0.24) - infinity	Yes	stainless steel
F5X15	5.0 (0.197)	1.5 (4.9)	2-Way 120°	0°/90°	45°	6.0 (0.24) - infinity	Yes	stainless steel
F5X18	5.0 (0.197)	1.8 (6.1)	2-Way 120°	0°/90°	45°	6.0 (0.24) - infinity	Yes	stainless steel
<b>6.0 mm Diameter</b>								
F6X10	6.0 (0.236)	1.0 (3.3)	2-Way 120°	0°/90°	45°	6.0 (0.24) - infinity	Yes	tungsten
F6X15	6.0 (0.236)	1.5 (4.9)	2-Way 120°	0°/90°	45°	6.0 (0.24) - infinity	Yes	tungsten
F6X18	6.0 (0.236)	1.8 (6.1)	2-Way 120°	0°/90°	45°	6.0 (0.24) - infinity	Yes	tungsten
F6X30IG*	6.0 (0.236)	2.7 (8.9)	2-Way 120°	0°/90°	45°	6.0 (0.24) - infinity	Yes	tungsten
<b>8.0 mm Diameter</b>								
F8X10	8.0 (0.331)	1.0 (3.3)	4-Way 120°	0°/90°	45°	6.0 (0.24) - infinity	Yes	tungsten
F8X15	8.0 (0.331)	1.5 (4.9)	4-Way 120°	0°/90°	45°	6.0 (0.24) - infinity	Yes	tungsten
F8X18	8.0 (0.331)	1.75 (6.1)	4-Way 120°	0°/90°	45°	6.0 (0.24) - infinity	Yes	tungsten
F8X30IG*	8.0 (0.331)	2.7 (8.9)	4-Way 120°	0°/90°	45°	6.0 (0.24) - infinity	Yes	tungsten

\* Industrial grade not superfine image guide

\*\* Polyimide cover over braid optional

## Fiberscope Models without Articulation

Part No.	Diameter mm (in.)	Working Length cm (in.)	Direction of View	Field of View	Insertion Tube Covering			
<b>0.5 mm Diameter</b>								
FCN05D025	0.5 (0.0197)	25 (9.8)	-	0°	70°	-	-	Polyurethane
FCN05D06	0.5 (0.0197)	60 (23.6)	-	0°	70°	-	-	Polyurethane
FCN05D120	0.5 (0.0197)	120 (47.2)	-	0°	70°	-	-	Polyurethane
<b>1.0 mm Diameter</b>								
FCN1.0D025	1 (0.039)	25 (9.8)	-	0°	70°	-	-	Polyurethane
FCN1.0D06	1 (0.039)	60 (23.6)	-	0°	70°	-	-	Polyurethane
FCN1.0D120	1 (0.039)	120 (47.2)	-	0°	70°	-	-	Polyurethane
<b>1.5 mm Diameter</b>								
FCN1.5D025	1.5 (0.059)	25 (9.8)	-	0°	70°	-	-	Polyurethane
FCN1.5D06	1.5 (0.059)	60 (23.6)	-	0°	70°	-	-	Polyurethane
FCN1.5D120	1.5 (0.059)	120 (47.2)	-	0°	70°	-	-	Polyurethane
<b>2.0 mm Diameter</b>								
FCN2D05	2.0 (0.0787)	50 (19.69)	-	0°	60°	-	-	PVC
FCN2D10	2.0 (0.0787)	100 (39.37)	-	0°	60°	-	-	PVC
FCN2D15	2.0 (0.0787)	150 (59.06)	-	0°	60°	-	-	PVC
FCN2D20	2.0 (0.0787)	200 (78.74)	-	0°	60°	-	-	PVC

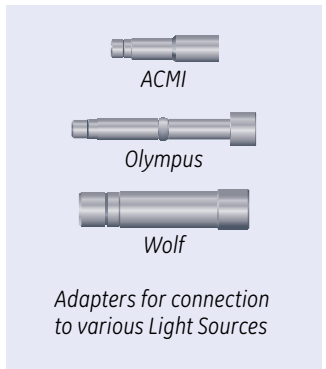
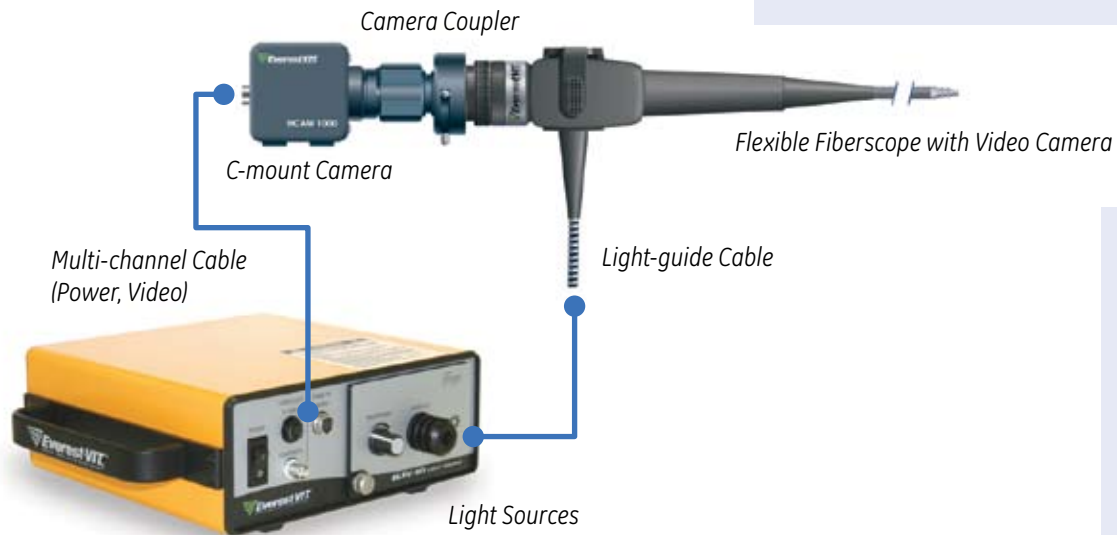
Custom lengths up to 9.0 m (29.5 ft.) available

# Light Sources & Accessories

GE Inspection Technologies flexible fiberscopes are ideal for documentation and recording images, and with the appropriate adapter, can be used with color video cameras.

The following documentation accessories are available:

- Video Cameras for recording and documentation
- Monitors for displaying enlarged images.
- Light Sources



## United States

199 US Hwy 206  
Flanders, NJ 07836  
Tel: **888 332 EVIT (3848)**  
Tel: 973 448 0077  
Fax: 973 448 0044  
Email: rvi-info@ge.com

On-Site Inspection Service and  
Equipment Rentals Available  
24 Hours a Day, 7 Days a Week  
Tel: **800-979-24X7 (2497)**  
Tel: 973-448-0077 (outside the U.S.)

## Canada

Alberta  
9515 - 42 Avenue  
Edmonton, AB T6E 5R2  
Tel: **877 895 5665**  
Tel: 780 430 9060  
Fax: 780 433 9747  
Email: rvi-info@ge.com

## Latin America

Av. Nove de Julho, 5229 - 7o. andar  
CEP 01407-907 - Sao Paulo, SP  
Tel: +55 (11) 3067-8169  
Fax: +55 (11) 3067-8173  
Email: rvi-sales@ge.com

## Germany

Lotzenäcker 4  
72379 Hechingen  
Tel: **+49 (0) 7471 9882 0**  
Fax: +49 (0) 7471 9882 16  
Email: rvi-infoeuropa@ge.com

Jacobsenweg 15  
22525 Hamburg  
Tel: **+49(0)7000 EVEREST (383 7378)**  
Tel: +49 (0) 40 4309 1185  
Fax: +49 (0) 40 4309 1186  
Email: rvi-infoeuropa@ge.com

## France

5 bis rue Bel-Air  
ZI Nantes - Carquefou  
44470 Carquefou  
Tel: +33 (0) 2 28 23 08 00  
Fax: +33 (0) 2 28 23 08 08  
Email: rvi-infoeuropa@ge.com

## Italy

c/o Centro Direzionale Colleoni  
Palazzo Andromeda 1  
Via Paracelso, 16  
20041 Agrate Brianza (MI)  
Tel: +39 039 651341  
Fax: +39 039 651792  
Email: rvi-infoeuropa@ge.com

## United Kingdom/Ireland

18 Tannery Yard  
Burford, Oxfordshire OX18 4DW  
Tel: +44 (0) 1993 822613  
Fax: +44 (0) 1993 822614  
Email: rvi-uksales@ge.com

## China

Unit 1602, 16/F Sing Pao Building  
101 King's Road  
North Point, Hong Kong  
Tel: +852 2877 0801  
Fax: +852 2877 0868  
Email: rvi-infohongkong@ge.com

## Japan

7F Medie Corp Bldg. 8  
2-4-14 Kichijoji Honcho,  
Musashino-shi  
Tokyo 180-0004  
Tel: +81 442 67 7067  
Fax: +81 442 67 7068  
Email: rvi-infojapan@ge.com

Telephone numbers in **bold** are toll free.

[www.ge.com/inspectiontechnologies](http://www.ge.com/inspectiontechnologies)



### GE Inspection Technologies: productivity through inspection solutions

GE Inspection Technologies provides technology-driven inspection solutions that deliver productivity, quality and safety. We design, manufacture and service Ultrasonic, Remote Visual, Radiographic and Eddy Current equipment and systems. Offering specialized solutions that will help you improve productivity in your applications in the Aerospace, Power Generation, Oil & Gas, Automotive or Metals Industry.