

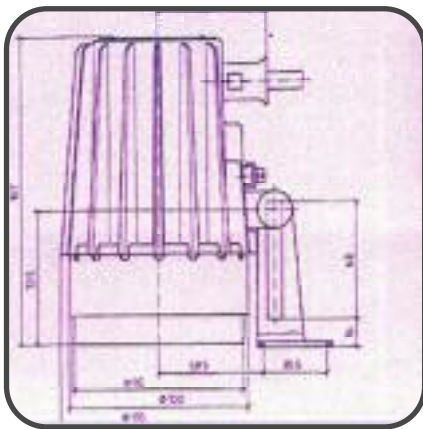


Explosion proof lamps

Inspection lamps for hazardous areas.

Our light weight explosion proof lamps illuminate large areas safely and easily when combined with our range of intrinsically safe high resolution cameras they complete a powerful explosion proof inspection/monitoring package.

PTB approval PTB Nr. EX-91 C. 1078, signed EEx D IIC T3



“Making a Visible Difference”