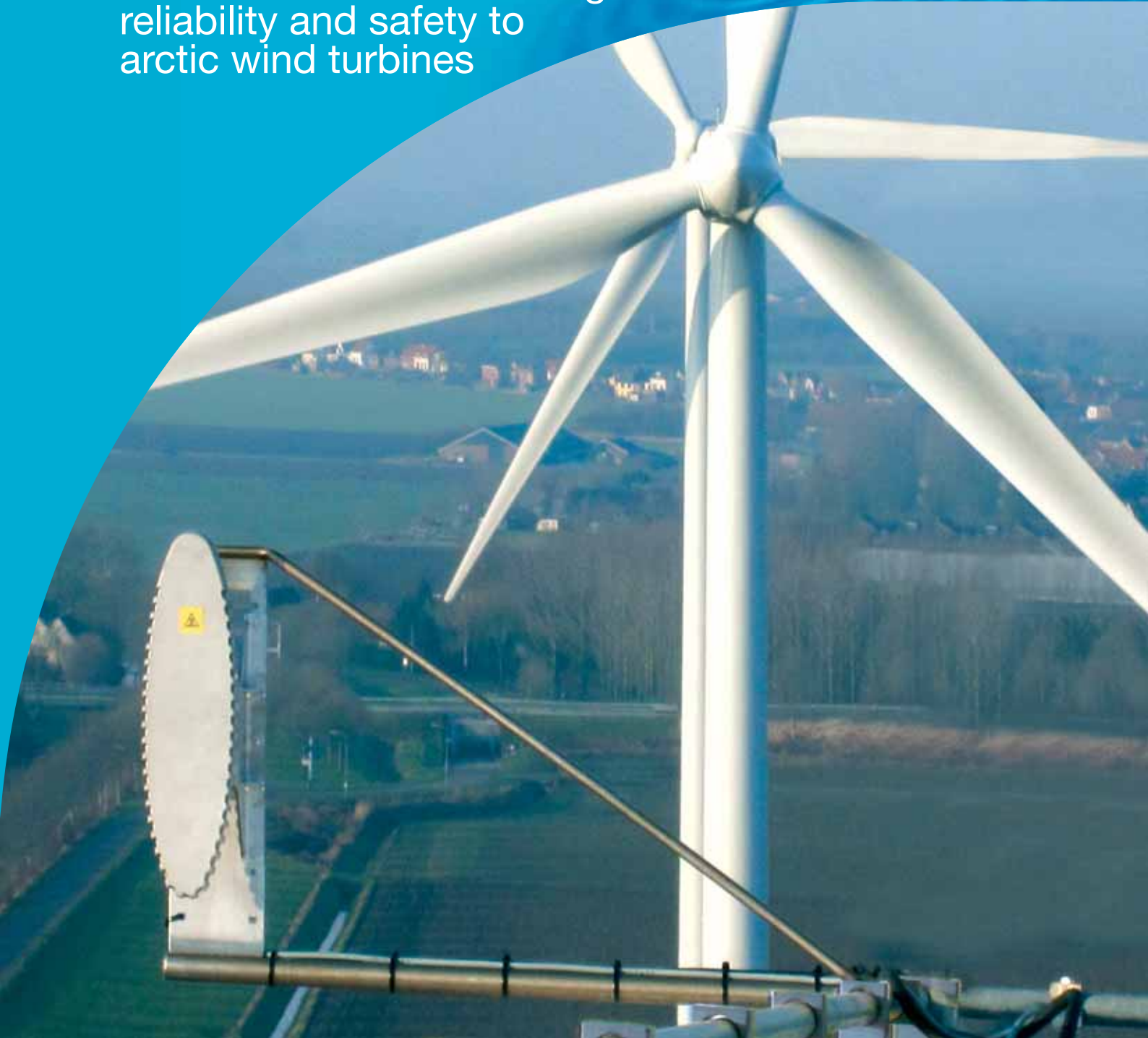


LID-3300IP

Efficient ice detection brings reliability and safety to arctic wind turbines



- Compact, rugged design
- Easy and quick installation
- Ready to use after installation, no calibration needed
- Suitable for old and new wind turbines
- Suitable for all manufacturer's wind turbines
- Easy to connect to wind turbine control systems via TCP/IP protocol
- Congealment status, alarms and parameters can be monitored and adjusted through an inbuilt www user interface

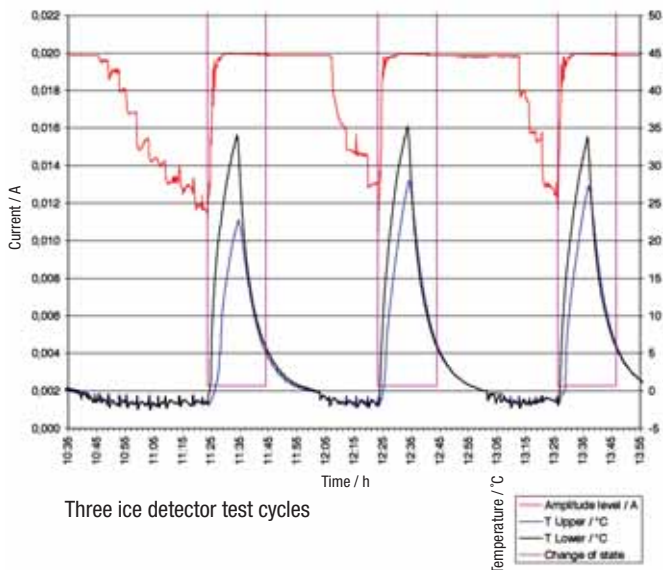
 **Labkotec**
INDUSTRAL GROUP

LID-3300IP Ice Detector for arctic wind turbines

The Labkotec Ice detectors have been specially designed for the detection of ice on the rotor blades. Ice falling off of rotor blades can cause damage to buildings and people near the wind turbines. Ice reduces the productive capacity of wind turbines considerably and burdens their construction, which leads to an increased need for maintenance.

Applications:

- Wind turbines
- Airports
- Weather stations



Icing/Freezing rain, MIL-STD-810F, Method 521.2 (1 January 2000)

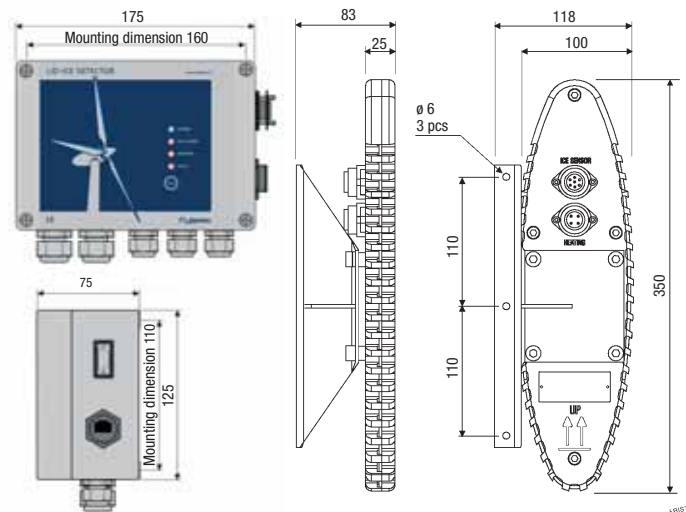
Technical data

LID-3300IP Ice Detector, control unit

Enclosure:	125 x 175 x 75 mm (h x w x d)
Material:	Polycarbonate
Degree of protection:	IP 66/67
Operating temperature:	-30 °C...+60 °C
Power supply:	230 VAC, 50/60 Hz
Power consumption:	Normally 7 VA Max. 350 W during sensor heating
Fuse:	50 mA, IEC 127 5 x 20 mm
Analog output:	2 pcs, 4-20 mA (for Ice Signal and Temperature)
Relay output:	2 pcs (Ice Alarm and Fault), potential free relay output
Front panel:	LED indication to Power, Ice Alarm, Heating and Fault. Test button to simulate Ice Alarm
Serial output:	RS-232 serial output for configuration and automatic reading
Web server:	Integrated Web server and web based user interface for remote access to Ice Detector via Internet. Standard RJ-45 connector. IP address is configured via RS-232.
Electrical safety (LVD):	EN 61010-1, Class I, CAT II EN 61010-2-010
EMC:	EN 61000-6-4 (Emission) EN 61000-6-2 (Immunity)

LID/ISD Ice sensor

Dimensions:	350 x 100 x 25 mm (h x w x d)
Material:	Aluminium
Degree of protection:	IP 65
Operating temperature:	-40 °C...+60 °C



Control unit

Ice sensor

Pictorino, 2/2010 500 M80189_e



www.labkotec.fi
www.labkonet.com

Labkotec Oy
Myllyhaantie 6
FI-33960 Pirkkala
FINLAND
Tel. int. +358 29 006 260
Fax int. +358 29 006 1260
E-mail info@labkotec.fi



Labkotec Oy reserves the rights to alterations without prior notice. Due to policy of continuous improvement in R&D, technical specifications may change. Installation shall always be made as documented in manufacturer's instructions.